



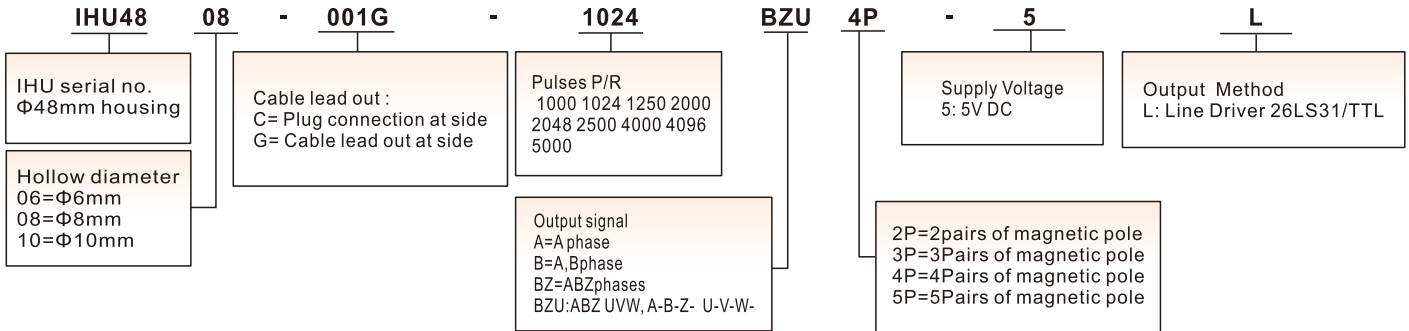
◆ **Application**

- Widely used in servomechanism , especially for servomotor.

◆ **Features**

- Taper shaft design to ensure the firm connection
- Wide resolution range and no requirement about signal adjustment
- With ABZ UVW 6channels signal output , and can be connect to Line Drive (26LS31) RS422, offer 12 channels signal , and compatible with TTL

◆ **Ordering Information**



◆ **Note:**

1. Please contact sales representative to confirm the correctness and availability of the part number

◆ **Technical Specifications**

Mechanical Specification				
Max speed(r/min)	Starting Torque	Max. Shaft Loading	Shocking	Vibration
6000	<0.02Nm	Radial:20N, Axial:10N	50G/11-ms	10G 10-2000Hz
Rotor Inertia	Working Temperature	Storage Temperature	Protection Grade	Weight
4*10 <sup>-8</sup> Kgm <sup>2</sup>	-40~85°C	-40~85°C	IP50	120g

◆ **Connection Table**

Signal	A	B	Z	Ā	B̄	Z̄	U	V	W	Ū	V̄	W̄	Vcc	GND
Color	Green	White	Yellow	Green/Black	White/Black	Yellow/Black	Brown	Gray	Orange	Brown/Black	Gray/Black	Orange/Black	Red	Black

◆ **Dimensions(mm)**

