



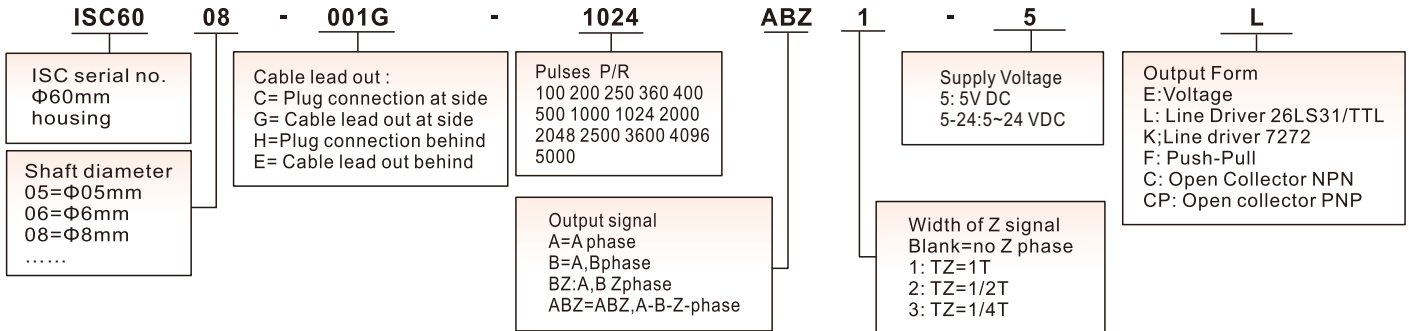
◆ Application

- Tensile stress control, cross-table positioning, valve position control, robot, X-Y labor, printing machine and etc.

◆ Features

- High reliability, long life, strong anti-interference ability
- 2 quadrature output channel (A&B) + index signal
- Square flange be used in numerical control machine

◆ Ordering Information



◆ Note:

1. Please contact sales representative to confirm the correctness and availability of the part number

◆ Technical Specifications

Electrical Specification				
Output circuit	Open collector	Voltage output	Push pull output	Line driver output
Power Vcc	5~30	5~30	5±0.25 5~30	5±0.25 5~30
Current	≤80mA	≤80mA	≤80mA	≤150mA
Load current	40mA	40mA	40mA	60mA
Max Responding Frequency	300kHz	300kHz	300kHz	300kHz
Mechanical Specification				
Max speed(r/min)	Starting Torque	Max. Shaft Loading	Shocking	Vibration
6000	<0.05Nm	Radial:80N, Axial:40N	50G/11ms	10G 10-2000Hz
Rotor Inertia	Working Temperature	Storage Temperature	Protection Grade	Weight
4*10 <sup>-8</sup> Kgm <sup>2</sup>	-30~85℃	-35~95℃	IP51	270g

◆ Connection Table

Signal	A	B	Z	Ā	Ē	Z̄	Vcc	GND	Shielded
Color	Green	White	Yellow	Brown	Gray	Orange	Red	Black	Copper net
7Pin Plug	3	5	2	-	-	-	1	4	6
9Pin Plug	5	3	2	7	6	8	1	4	9

◆ Dimensions(mm)

